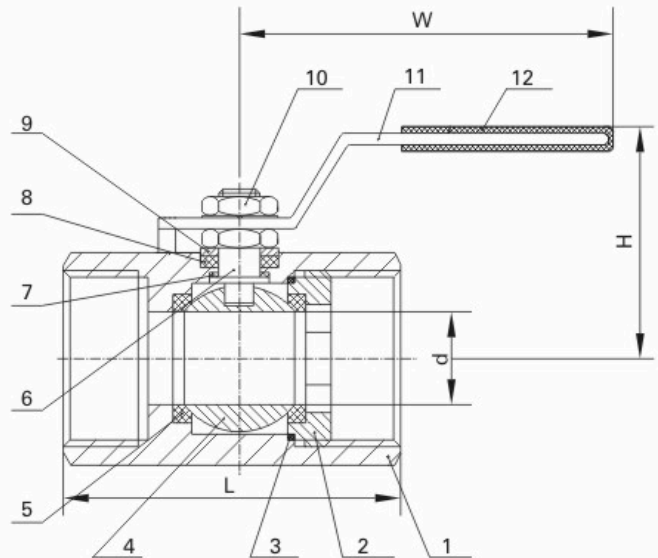


1-PC BAR STOCK BALL VALVE

六角棒料一片式球阀



MV-12

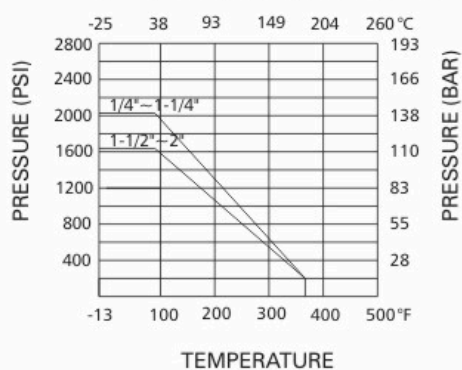
- 缩径
- 螺纹标准: ISO, BS, DIN, JIS, ASME
- 公称压力: 2000 PSI (PN125)
- 工作温度: -25°C~+180°C
- 材 料: 碳钢

- Reduce bore
- Thread: ISO, BS, DIN, JIS, ASME
- Pressure rating: 2000 PSI (PN125)
- Working temperature: -25°C~+180°C
- Material: Carbon steel

MATERIAL LIST

ITEM	PART	MATERIAL	QTY.
1	Body	Carbon Steel	1
2	Cap	Carbon Steel	1
3	Body Gasket	PTFE	1
4	Ball	SS316	1
5	Ball Seat	R-PTFE (15%)	2
6	Stem	SS316	1
7	Thrust Washer	PTFE	1
8	Stem Packing	PTFE	1
9	Washer	SS304	1
10	Nut	SS304	2
11	Handle	SS304	1
12	Handle Cover	PLASTIC	1

PRESSURE-TEMPERATURE RATING



DIMENSION LIST

SIZE	d	L	H	W	N·m	Kgs
1/4"	5	43	33	67	4	0.11
3/8"	7	45	36	67	4	0.17
1/2"	9	62	37	93	6	0.33
3/4"	12.5	70	42	93	6	0.48
1"	15	85.5	52	103	8	0.70
1-1/4"	20	94	56	103	10	0.88
1-1/2"	25	101.5	65	125	14	1.53
2"	32	114.5	70	125	18	2.31