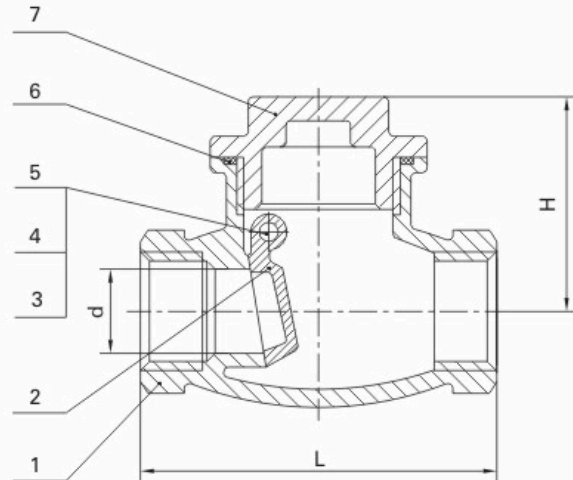


SWING DISC CHECK VALVE

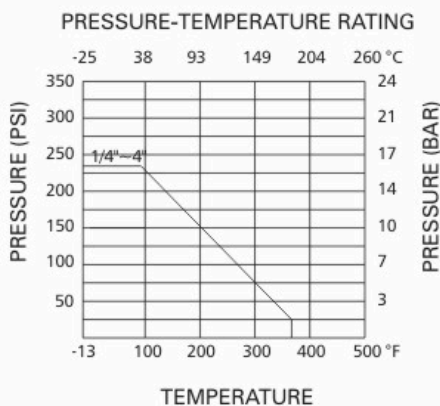
旋启式止回阀



MV-51

- 螺纹标准: ISO, BS, DIN, JIS, ASME
- 公称压力: 200PSI (PN16)
- 工作温度: $-25^{\circ}\text{C} \sim +180^{\circ}\text{C}$
- 材 料: CF8M, CF8, CF3M

- Investment casting for body, cap and disc
- Thread: ISO, BS, DIN, JIS, ASME
- Pressure rating: 200PSI (PN16)
- Working temperature: $-25^{\circ}\text{C} \sim +180^{\circ}\text{C}$
- Material: CF8M, CF8, CF3M



MATERIAL LIST

ITEM	PART	MATERIAL	QTY.
1	Body	CF8M	1
2	Disc	CF8M	1
3	Pipe Plug	SS316	1
4	Plug Gasket	PTFE	1
5	Plug Screw	SS304	1
6	Body Gasket	PTFE	1
7	Cap	CF8M	1

DIMENSION LIST

SIZE	d	L	H	Kgs
1/4"	10	63	42	0.27
3/8"	12	63	42	0.26
1/2"	15	63	42	0.23
3/4"	20	78	46	0.35
1"	25	87	50	0.54
1-1/4"	32	100	54	0.81
1-1/2"	40	115	64	1.01
2"	50	135	71	1.62
2-1/2"	64	164	94	2.94
3"	73	190	103	4.13
4"	94	240	136	9.10