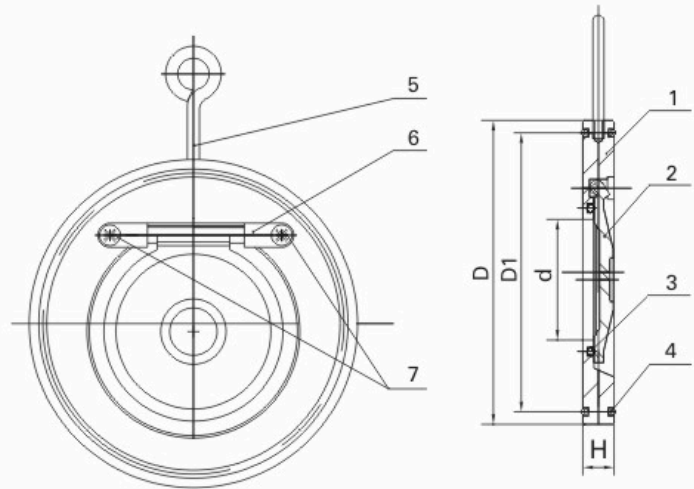


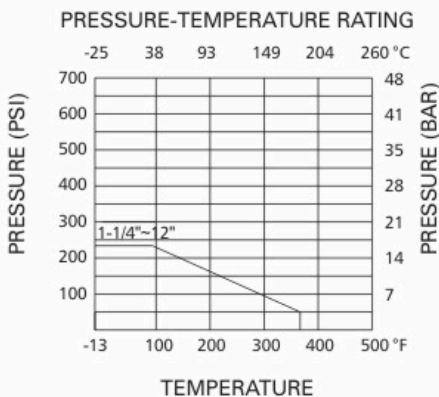
SINGLE DISC WAFER CHECK VALVE (SWING)

对夹式止回阀 (旋启式)



MV-54

- 法兰标准: 可用于美标、德标、日标
- 公称压力: PN10/PN16/ANSI 150Lb/JIS 10K
- 工作温度: -25°C~+180°C
- 材 料: CF8M, CF8, CF3M, WCB
- 密 封: Viton/EPDM
- Investment casting for body and disc
- Flanged ends: ANSI, DIN, JIS
- Pressure rating: PN10/PN16/ANSI 150Lb/JIS 10K
- Working temperature: -25°C~+180°C
- Material: CF8M, CF8, CF3M, WCB
- Seal: Viton/EPDM



MATERIAL LIST

ITEM	PART	MATERIAL	QTY.
1	Body	F316	1
2	Disc	CF8M	1
3	Disc O-Ring	VITON	1
4	External O-Ring	VITON	2
5	Hook	SS304	1
6	Axis Stopper	SS316	2
7	Axis Screw	SS316	2

DIMENSION LIST

SIZE	d	D	D1	H	Kgs
DN32	20	76	59	12	0.42
DN40	25	85	68	12	0.45
DN50	32	105	84	14	0.79
DN65	40	124	96	14	1.10
DN80	54	136	117.5	14	1.30
DN100	70	164	148	18	2.26
DN125	92	194	166	18	3.15
DN150	114	220	197	20	4.54
DN200	154	275	249	22	7.65
DN250	200	330	310	26	12.63
DN300	230	380	358	30	19.95