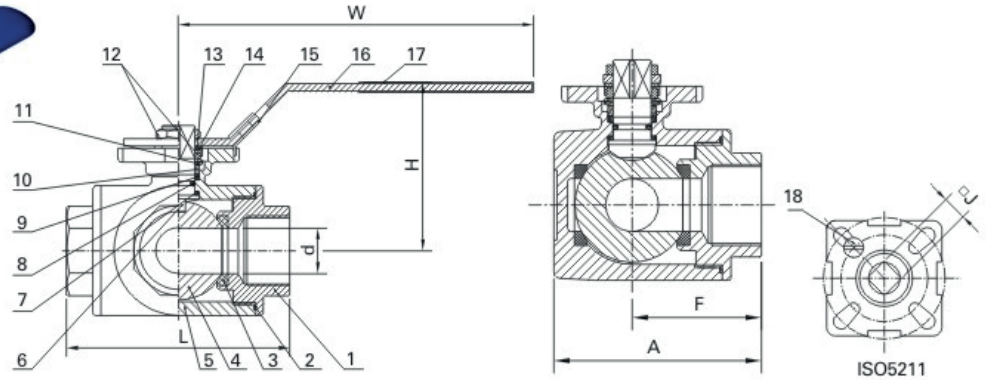


3-WAY BALL VALVE (Full bore)

三通式球阀 (通径)

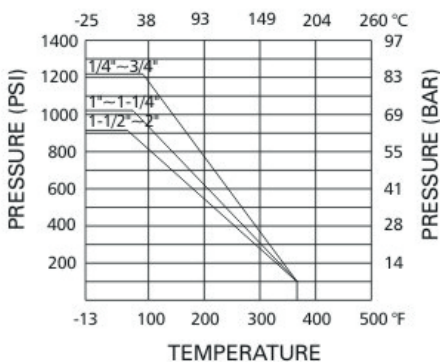


MV-85Q

- 通径
- 螺纹标准: ISO, BS, DIN, JIS, ASME
- 驱动盘标准: ISO 5211
- 公称压力: PN63 (1000PSI)
- 工作温度: -25°C~+ 180°C
- 材 料: CF8M, CF8, CF3M, WCB

- Investment casting for body and cap
- Full bore
- Thread: ISO, BS, DIN, JIS, ASME
- Mounting pad: ISO 5211
- Pressure rating: PN63 (1000PSI)
- Working temperature: -25°C~+ 180°C
- Material: CF8M, CF8, CF3M, WCB

PRESSURE-TEMPERATURE RATING



PORT \ TURN	0°	90°	180°	270°
T-BALL				
L-BALL				

MATERIAL LIST

ITEM	PARTS	MATERIAL	QTY.
1	Cap	CF8M	3
2	Gasket	PTFE	3
3	Ball Seat	R-PTFE(15%)	4
4	Ball	SS316	1
5	Body	CF8M	1
6	Stem	SS316	1
7	Thrust Washer	PTFE	1
8	O-Ring	VITON	1
9	Stem Packing	PTFE	1
10	Stem Ring	SS316	1
11	Belleve Washer	SS301	2
12	Nut	SS304	2
13	Plate Washer	SS304	1
14	Nut Stopper	SS304	1
15	Lock Device	SS304	1
16	Handle	SS304	1
17	Handle Sleeve	PLASTIC	1
18	Stop Pin	SS304	1

DIMENSION LIST

SIZE	d	L	H	W	F	A	J	ISO5211	N-m	Kgs(L)	Kgs(T)
1/4"	9.5	75	66	130	37.5	57.5	9	F03/F04	8	0.70	0.70
3/8"	11	75	66	130	37.5	57.5	9	F03/F04	8	0.67	0.67
1/2"	15	86	72	161	42.5	65.5	11	F04/F05	9	0.98	0.98
3/4"	20	93	77	161	50	79	11	F04/F05	15	1.52	1.50
1"	25	119	92	203	61	97	14	F05/F07	20	3.38	3.35
1-1/4"	32	131	96	203	65.5	106.5	14	F05/F07	30	4.13	4.07
1-1/2"	40	151.5	107	203	79	129	14	F05/F07	45	7.58	7.46
2"	50	174	135	254	89	145	17	F07/F10	70	9.46	9.25