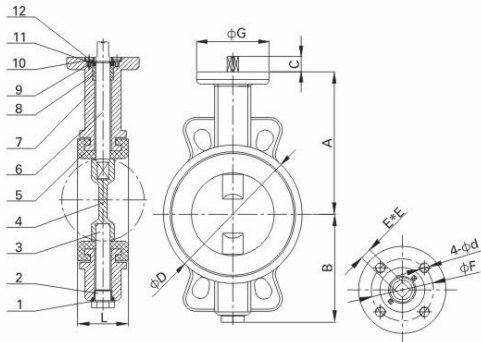


WAFER BUTTERFLY VALVE

对夹式软密封蝶阀



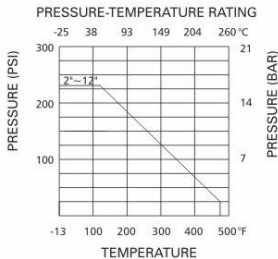
MV-91

- 法兰标准: DIN EN1092-1 PN10~PN16
ASME B16.5 Class 150
- 结构长度: EN558 Series 20
- 工作温度: $-10^{\circ}\text{C} \sim +150^{\circ}\text{C}$
- 驱动盘标准: ISO5211
- 材 料: CF8M, CF8, CF3M, WCB

- Flanged ends: DIN EN1092-1 PN10~PN16
ASME B16.5 Class 150
- Face to Face: EN558 Series 20.
- Working temperature: $-10^{\circ}\text{C} \sim +150^{\circ}\text{C}$
- Mounting pad: ISO5211
- Material: CF8M, CF8, CF3M, WCB

MATERIAL LIST

ITEM	PART	MATERIAL	QTY.
1	Plug	SS304	1
2	Gasket	PTFE	1
3	Lower Stem	SS316	1
4	Disc	CF8M	1
5	Seat	VITON/EPDM/PTFE	1
6	Stem	SS316	1
7	Body	CF8M	1
8	Braring	PTFE	1
9	Screw	SS304	2
10	Tablet Press	SS304	1
11	Stem Ring	SS304	2
12	Retainer	SS316	1



DIMENSION LIST

SIZE	A	B	C	ϕD	E	ϕF	ϕG	ϕd	L	
DN50	2"	126	78	13.5	94	9	50	70	9	43
DN65	2-1/2"	134	84	13.5	108	9	50	70	9	46
DN80	3"	138	92	13.5	124	9	50	70	9	46
DN100	4"	167	114	13.5	157	11	70	90	11	52
DN125	5"	180	129	17.5	182	14	70	90	11	56
DN150	6"	203	144	17.5	212	14	70	90	11	56
DN200	8"	228	179	24.5	267	17	102	125	13	60
DN250	10"	266	216	25	324	22	102	125	13	68
DN300	12"	291	247	25	377	22	102	125	13	78