

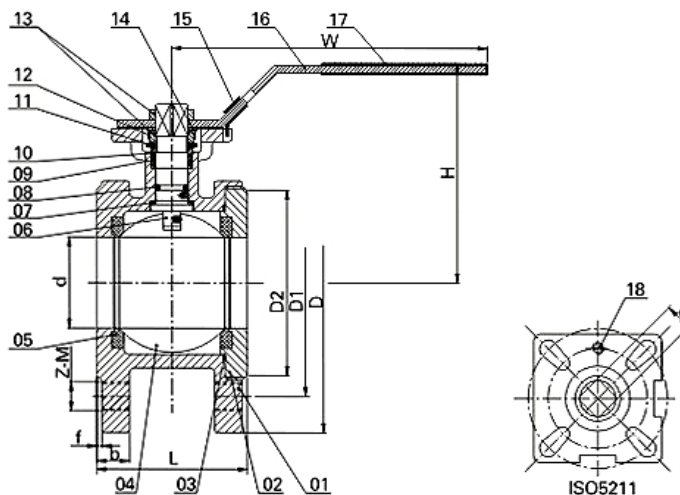
# 1-PC FLANGE BALL VALVE WITH MOUNTING PAD (DIN)

一片式法兰球阀(带驱动盘)



DN125-DN150

DN200



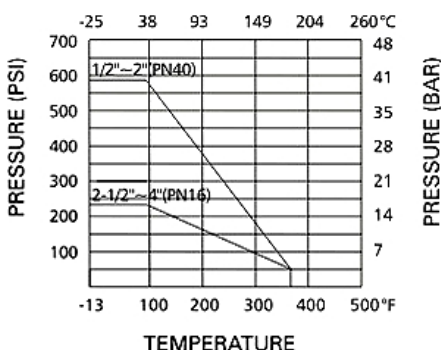
## MATERIAL LIST

| ITEM | PARTS             | MATERIAL     | QTY. |
|------|-------------------|--------------|------|
| 1    | Body              | CF8M         | 1    |
| 2    | Cap               | CF8M         | 1    |
| 3    | Body Gasket       | PTFE         | 1    |
| 4    | Ball              | SS316        | 1    |
| 5    | Ball Seat         | R-PTFE (15%) | 2    |
| 6    | Stem              | SS316        | 1    |
| 7    | Thrust Washer     | PTFE         | 1    |
| 8    | O- Ring           | VITON        | 1    |
| 9    | Stem Packing      | PTFE         | 1    |
| 10   | Packing Ring      | SS304        | 1    |
| 11   | Belleville Washer | SS301        | 2    |
| 12   | Nut Stopper       | SS304        | 1    |
| 13   | Nut               | SS304        | 2    |
| 14   | Plate Washer      | SS304        | 1    |
| 15   | Lock Device       | SS304        | 1    |
| 16   | Handle            | SS304        | 1    |
| 17   | Plastic Cover     | PLASTIC      | 1    |
| 18   | Stop Pin          | SS304        | 1    |

## MV-14D

- 防火设计
- 法兰标准: EN1092-1 PN10~PN40
- 结构长度: EN558 Series 100
- 驱动盘标准: ISO5211
- 公称压力: PN16~PN40
- 工作温度: -25°C~+180°C
- 材 料: CF8M, CF8, CF3M, WCB
- Investment casting for body and cap
- Fire-safe design
- Flanged ends: EN1092-1 PN10~PN40
- Face to Face: EN558 Series 100
- Mounting Pad: ISO5211
- Pressure rating: PN16~PN40
- Working temperature: -25°C~+180°C
- Material: CF8M, CF8, CF3M, WCB

### PRESSURE-TEMPERATURE RATING



## DIMENSION LIST

| SIZE   | PN    | d   | L   | D   | D1  | D2  | b  | f | H   | W   | C  | ISO5211 | Z-M   | N.m |     |     |     |    |     |
|--------|-------|-----|-----|-----|-----|-----|----|---|-----|-----|----|---------|-------|-----|-----|-----|-----|----|-----|
| 1/2"   | 10~40 | 15  | 35  | 95  | 65  | 45  | 11 | 2 | 89  | 117 | 9  | F03/F04 | 4-M12 | 5   |     |     |     |    |     |
| 3/4"   | 10~40 | 20  | 39  | 105 | 75  | 58  | 11 | 2 | 94  | 117 | 9  | F03/F04 | 4-M12 | 8   |     |     |     |    |     |
| 1"     | 10~40 | 25  | 44  | 115 | 85  | 68  | 12 | 2 | 90  | 164 | 11 | F04/F05 | 4-M12 | 10  |     |     |     |    |     |
| 1-1/4" | 10~40 | 32  | 52  | 140 | 100 | 78  | 14 | 2 | 100 | 164 | 11 | F04/F05 | 4-M16 | 14  |     |     |     |    |     |
| 1-1/2" | 10~40 | 40  | 64  | 150 | 110 | 88  | 15 | 3 | 105 | 203 | 14 | F05/F07 | 4-M16 | 18  |     |     |     |    |     |
| 2"     | 10~40 | 50  | 83  | 165 | 125 | 102 | 18 | 3 | 125 | 203 | 14 | F05/F07 | 4-M16 | 25  |     |     |     |    |     |
| 2-1/2" | 10/16 | 65  | 105 | 185 | 145 | 122 | 18 | 3 | 140 | 255 | 17 | F07/F10 | 4-M16 | 48  |     |     |     |    |     |
|        | 25/40 |     |     |     |     |     |    |   |     |     |    |         |       |     | 22  | 160 |     |    |     |
| 3"     | 10/16 | 76  | 121 | 200 | 160 | 138 | 20 | 3 | 156 | 255 | 17 | F07/F10 | 8-M16 | 75  |     |     |     |    |     |
|        | 25/40 |     |     |     |     |     |    |   |     |     |    |         |       |     | 24  | 168 |     |    |     |
| 4"     | 10/16 | 94  | 152 | 220 | 180 | 158 | 20 | 3 | 175 | 302 | 17 | F07/F10 | 8-M16 | 110 |     |     |     |    |     |
|        | 25/40 |     |     |     |     |     |    |   |     |     |    |         |       |     | 24  | 192 |     |    |     |
| 5"     | 10/16 | 125 | 196 | 250 | 210 | 188 | 22 | 3 | 228 | 600 | 22 | F10/F12 | 8-M16 | 200 |     |     |     |    |     |
|        | 25/40 |     |     |     |     |     |    |   |     |     |    |         |       |     | 26  | 260 |     |    |     |
| 6"     | 10/16 | 150 | 236 | 285 | 240 | 212 | 22 | 3 | 246 | 600 | 22 | F10/F12 | 8-M20 | 300 |     |     |     |    |     |
|        | 25/40 |     |     |     |     |     |    |   |     |     |    |         |       |     | 28  | 278 |     |    |     |
| 8"     | 10    | 200 | 315 | 340 | 295 | 268 | 24 | 3 | 300 | 800 | 27 | F12/F14 | 8-M20 | 400 |     |     |     |    |     |
|        | 16    |     |     |     |     |     |    |   |     |     |    |         |       |     | 340 | 295 | 268 | 24 | 300 |
|        | 25    |     |     |     |     |     |    |   |     |     |    |         |       |     | 360 | 310 | 278 | 30 | 340 |
|        | 40    |     |     |     |     |     |    |   |     |     |    |         |       |     | 375 | 320 | 285 | 34 | 340 |